



Gas Focused Cathode Ray Tube

C16GS/2B
(4050AB)
C16GS/2D
(4050AD)
C16GS/2G
(4050AG)

4050AB
(Blue Screen)

4050AD
(Delay Screen)

4050AG
(Green Screen)

CATHODE.

Oxide-coated filament		
*Current	0.7 to 1.1	A
Nominal voltage	0.75	V

INTER-ELECTRODE CAPACITIES.

Between either pair of deflecting plates	7.0	pF
Anode to X plates	1.2	pF
Anode to Y plates	2.3	pF

RATING.

Anode voltage	350 to 1,500	V
Normal anode voltage	500	V
Shield voltage	0 to +50	V
Sensitivity ($V =$ anode voltage)	$\frac{370}{V}$	mm./V
Effective screen diameter	4	in.

DIMENSIONS.

Maximum overall length	340	mm.
Maximum bulb diameter	118	mm.
Base	Standard British 9-pin	
Net weight	285	g.

* For maximum life the tube should be operated with just sufficient filament current to produce a satisfactory trace. Filament current will rise with life.

The P.x. plates produce horizontal deflection when the tube is mounted with filament pins at the bottom.

It is recommended that a 2,000 ohm protective resistance should be included in the shield circuit as well as in the anode circuit.

CI6GS/2B
(4050AB)
CI6GS/2D
(4050AD)
CI6GS/2G
(4050AG)

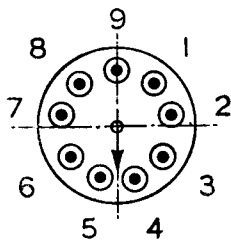
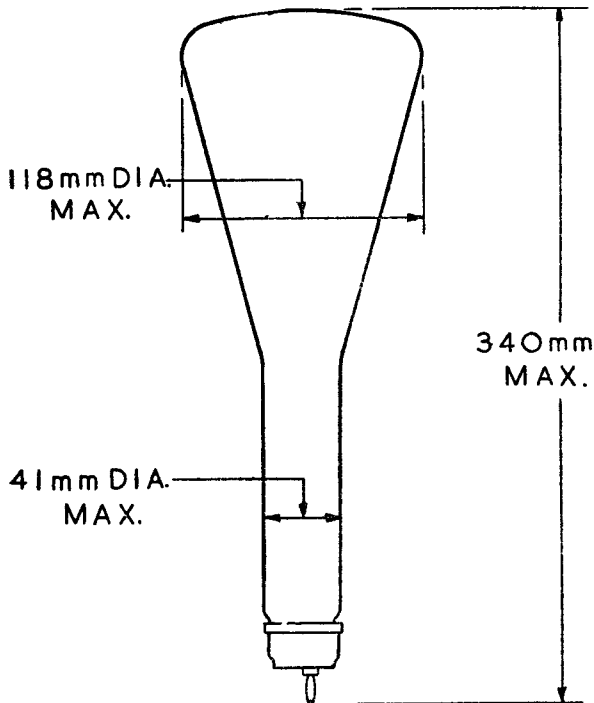
Gas Focused Cathode Ray Tube



4050AB
(Blue Screen)

4050AD
(Delay Screen)

4050AG
(Green Screen)



BASING

1	PY.	6	S.
2	PX.	7	PX.
3	BLANK.	8	PY.
4	F +.	9	ANODE.
5	F -.		